

6

5

4

3

2

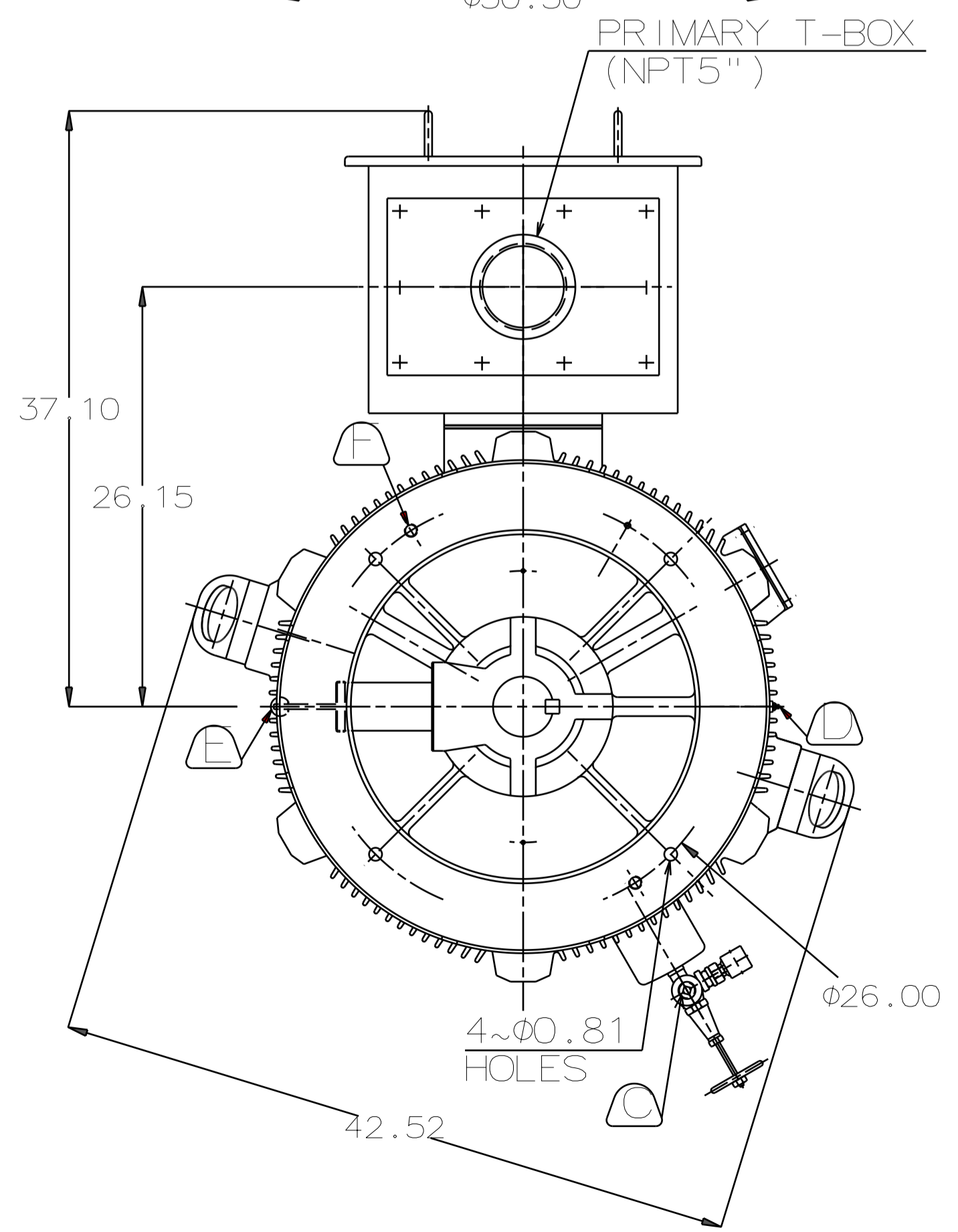
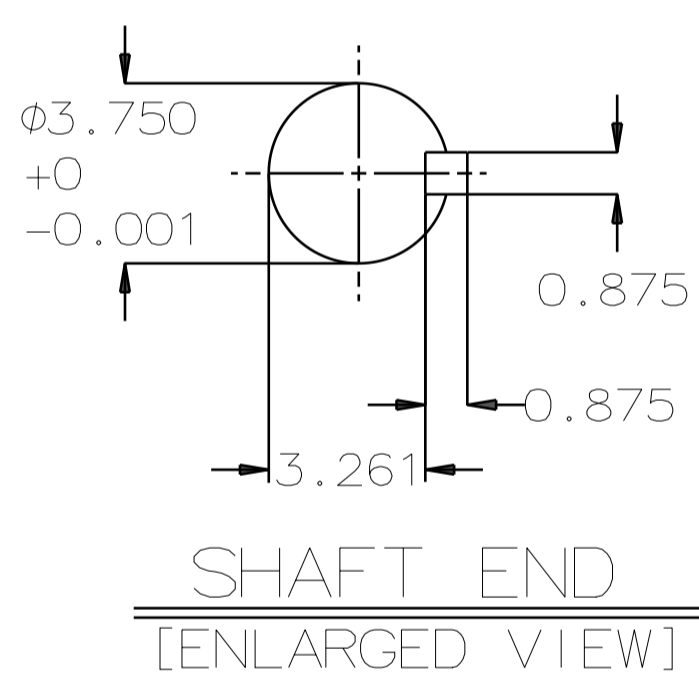
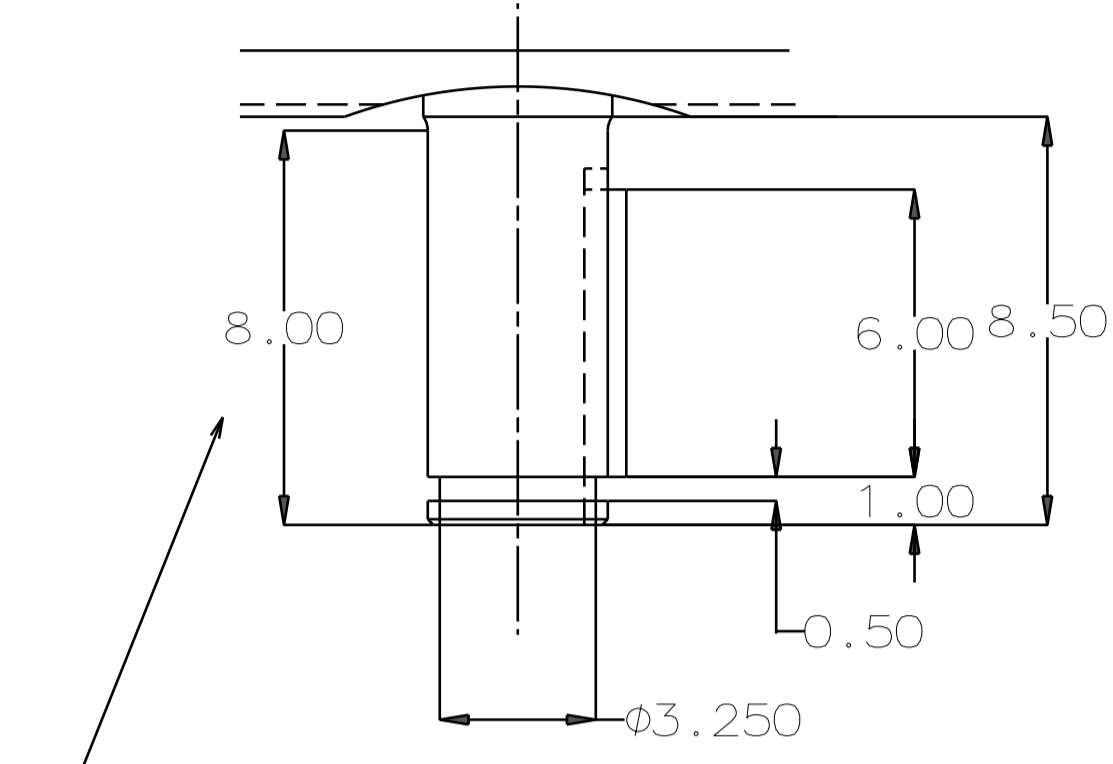
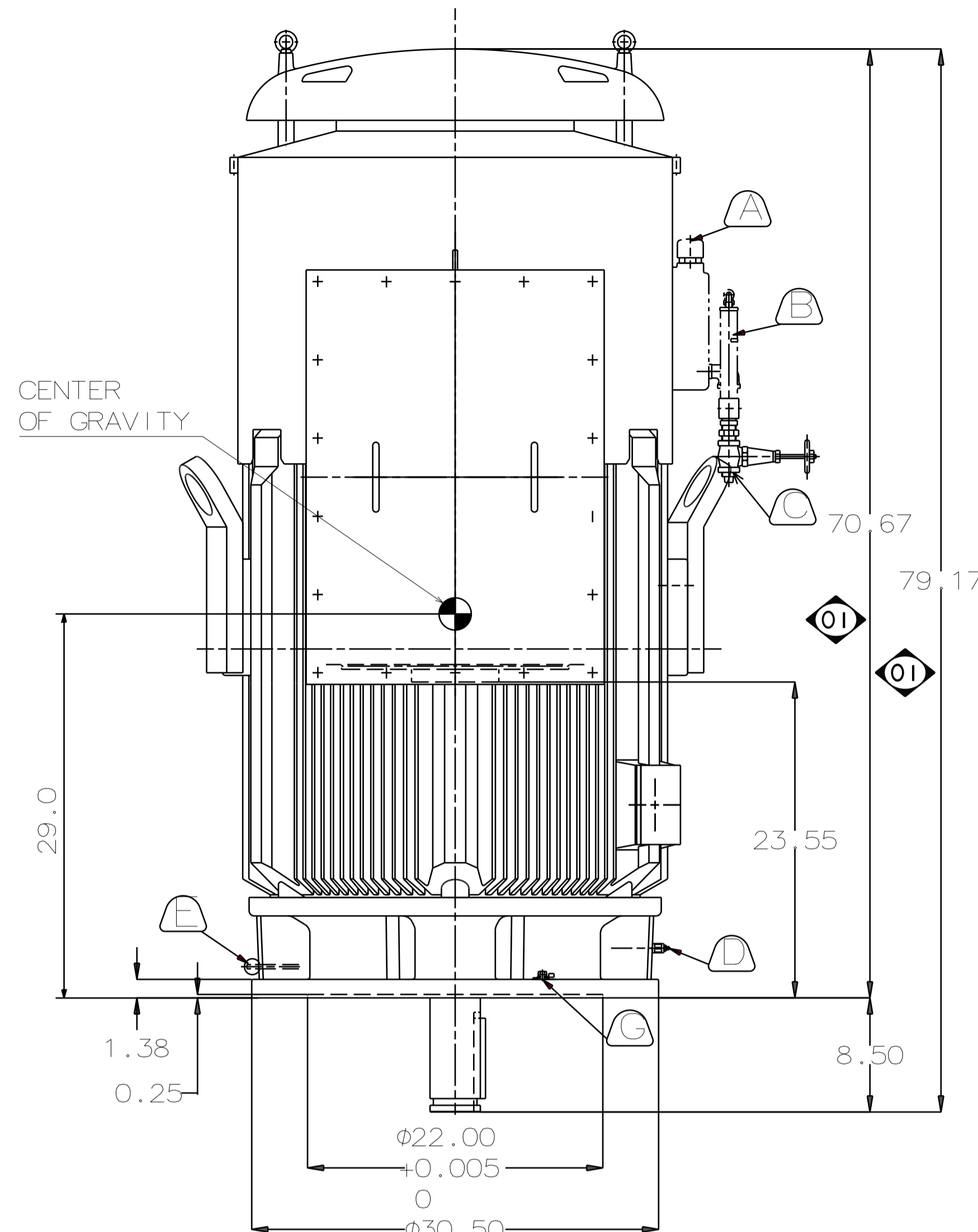
1

| TYPE   | OUTPUT |     | POLE | TIME RATING | VOLTAGE V | Hz | SYN. SPEED R.P.M |
|--------|--------|-----|------|-------------|-----------|----|------------------|
|        | HP.    | kW. |      |             |           |    |                  |
| AEEHED | 450    | 335 | 6    | CONT        | 460       | 60 | 1200             |

TOTALLY ENCLOSED FAN-COOLED VERTICAL SOLID SHAFT TYPE, SQUIRREL CAGE ROTOR

NOTE:

- DIMENSIONS IN INCH
- FRAME NO.5808
- F CLASS INSULATION, S.F.: 1.15
- FOR DIRECT COUPLING.
- BEARING SIZE:  
UPPER BEARING: 29330+6028 [INSULATED]  
LOWER BEARING: 6320C3 [UNINSULATED]
- UPPER BEARING IS INSULATED. ANY METAL CONNECTIONS TO IT MUST BE INSULATED.
- LUBRICATION:  
UPPER BEARING USE OIL.  
OIL VISCOSITY: ISO VG68 [300SSU AT 100 °F]  
OIL QUANTITY: 6.3 GAL.  
LOWER BEARING USE GREASE. [MOBIL POLYREX EM]
- ROTATION: COUNTER-CLOCKWISE [VIEW FROM TOP].
- WITH NON-REVERSE RATCHET MECHANISM.
- APPROXIMATE WEIGHT: 6250
- REED FREQUENCY: 46 HZ
- DOWNTHRUST: 20,200 LBS (L10-8800HRS)
- SPACE HEATER RATED AT 120 VOLT, SINGLE PHASE, 218 WATTS, LEADS TERMINATE IN MAIN LEAD BOX.



- (A) OIL FILLER [UPPER BEARING]
- (B) OIL GAUGE [UPPER BEARING]
- (C) OIL DRAIN [UPPER BEARING]
- (D) GREASE INLET [LOWER BEARING]
- (E) GREASE DISCHARGER [LOWER BEARING]
- (F) 2~M20 VERTICAL JACKING HOLES, 180°APART IN MOTOR BASE.
- (G) M10 TAPPED HOLE IN MOTOR BASE WITH GROUNDING TERMINAL [R38-10] & BOLT LOCATED AS SHOWN.

|         |             |                         |  |
|---------|-------------|-------------------------|--|
| DATE    | DEC 08 2016 | OUTLINE DIMENSIONS      |  |
|         | VSTP4506    | 3-PHASE INDUCTION MOTOR |  |
| DWG NO. | 4B040L231   | REV:01                  |  |

|       |       |             |
|-------|-------|-------------|
| DWN.  | C.FU  | APR.17.2015 |
| CHKD. | R.LEE | APR.17.2015 |
| APPD. | C.LIU | APR.17.2015 |



6

5

4

3

2

1